



## Blown Fibre Joints

7

	Page
<b>7.1 BFJ Blown Fibre Joint Closure</b>	
Introduction	98
BFJ - Blown Fibre Joint Closure	99



## Introduction

The BFJ – Blown Fibre Joint closure is a ready access round closure which is suited for use as straight through joint, a customer drop port or a centre blow point within blown fibre underground networks.

The mid-range capacity offered by the BFJ makes it suitable for use in FTTH access and MAN, WAN or trunk networks.

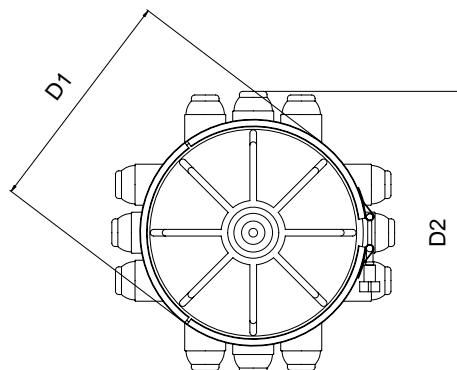
The two closure options of the BFJ with a single base configuration offer 12 ports, in blocks of 3 set at right angles to each other, around the circumference of the closure.

The cover is environmentally sealed to the base using an 'O' ring and clamp, whilst the cables are sealed using either Cablelok mechanical seals or heatshrink sleeve.



### Features and Benefits

- Suitable for FTTH network applications
- Two closure options which offer a dual or single access option
- 12 round ports which accept a maximum duct/cable diameter of 50mm
- Suitable for blown fibre/cable applications
- Large internal diameter
- Cover supplied with an integral pressure relief valve
- Accessory mounting bracket available
- For use in underground applications





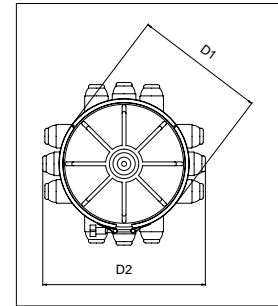
## BFJ - Blown Fibre Joint Closure

### Features and Benefits

- Multi-port base configuration
- 300mm internal bend diameter
- Two closure options which offer a dual or single access option
- Pre-fitted duct/cable organiser
- Integral Pressure Relief Valve
- Cablelok ready



Blown Fibre Joint 12 Port Closure



Blown Fibre Joint

### Technical Description

The BFJ closures are manufactured from cross linked polyethylene (PEX) and offer two closure options, a dual access (BFJ2131) or single access (BFJ2244) closure. The dual access option consists of a removable bottom cover, removable top cover and a body, the single access option consists of a body with integral base and removable top cover.

Both closures are environmentally sealed using 'O' ring(s) and stainless steel clamp(s) and are fitted with a 5 psi (35Kpa) pressure relief valve. The base configuration is 12 ports (4 sets of 3), set at right angles to each other and the maximum diameter of duct or cable accepted by each port is 20.0mm when using Cablelok mechanical seals and 50.0mm when using heatshrink.

The pre-fitted duct tube organiser allows for routing of blown fibre mini duct tubes or cable up to a maximum diameter of 5.0mm.

### Technical Data Table

Article-No.	Type	Dimensions			Base Type	Port count	Port
		Width D1 (mm)	Width D2 (mm)	Height H (mm)			
857-00000	BFJ2131	335	424	238	Cablelok™, Heatshrink	12	B, S
857-00006	BFJ2244	335	424	238	Cablelok™, Heatshrink	12	B, S

All dimensions in mm. Subject to technical changes.

### Content of Set/Kit

- BFJ Closure (Single or Dual access)
- Pressure Relief Valve
- Sealing 'O' Ring(s)
- Stainless Steel Clamp(s)
- Duct Tube/Cable Organisers

# Integrated Routing

## Fibre Management Solution

The Integrated Routing system from **HellermannTyton** delivers industry leading fibre management within high fibre count dome closures

- Fast installation time
- Low installation cost
- Protection of exposed fibres
- Positive fibre management
- High quality finish and detailing
- Interchangeable single element or single circuit splice trays
- Splitters up to 70x20x6mm can be mounted in the single element splice tray
- Up to 24 splices per single element tray if required
- Accommodates a range of splice protectors eg: Heatshrink or mechanical
- Up to 60 single element or 120 single circuit trays in the largest UFC configuration
- Available in FDN, FML and UFC closures



Better Technology through Innovation



[www.htdata.co.uk](http://www.htdata.co.uk)

**HellermannTyton**